



AL 540 Tilt & Turn Opening System

for affordable quality & compatibility

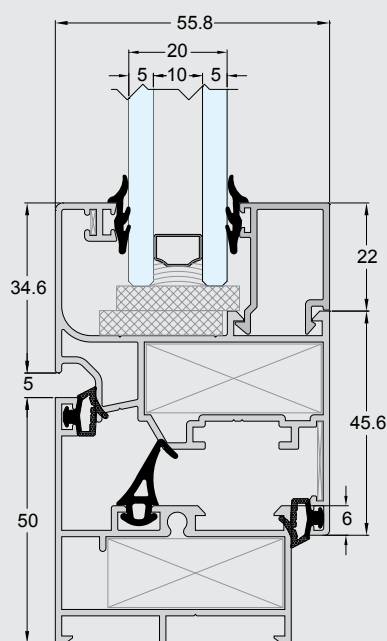
A system emphasizing particularly on design, resistance, functionality and compatibility of components. This system saves energy and reduces construction time.

System **AL 540** is easily distinguished for its particular characteristics. Its sharp lines rank it at a special position in comparison with other systems in the market. The external design makes the identity of this system distinguishable.

Great attention has been given on the easy and quick water drainage. The key feature of AL 540 is the pioneering and innovative cavity of the profile external side. The chambers receive any corners and allow a quick assembly, as they are fixed in the center.

The system includes a wide range of main and auxiliary profiles that provide alternative options even in difficult cases. An advantage is the fact that the sashes receive a central gasket offering a wide range of solutions for perimeter sash fastening without the addition of a panel.

Multiple-point locks are fixed in the special designed sashes (perimeter lock) offering maximum safety.



Data sheet

Basic characteristics

- EPDM foam gaskets.
- Ideal design.
- High performances.
- Multiple application options.
- Maximum security of multiple locks.

Technical characteristics

Sash width	Min frame width	Glass thickness
55,8mm	↔ 48 mm	9,3 - 31,8 mm

Profile technical characteristics

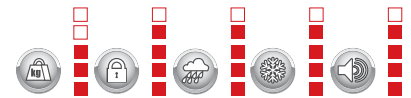
Aluminium alloy	Hardness	Minimum paint thickness	Profile thickness	Check dimensional-profiles according to
AlMgSi 0,5 (EN AW 6060)	12 Webster	75µm	1,3-1,5mm	EN DIN 12020-2

Performances

Air permeability EN 12207	Watertightness EN 12208	Resistance to wind load EN 12210	Antitheft
Class 4	Class 3A	Class C3	RC2



System properties



About Aluminco S.A.

Today, with 33 years of experience, our company has evolved to an integrated vertical aluminium industry focusing on developing, producing and marketing branded aluminium systems for every architectural use.

on Value-added aluminium solutions

Building the brand through consistency & care and having a clear and uniform profile, reinforced ALUMINCO to offer a unique wide-range of aluminium-based products.

on Research & development

Investing from the very beginning in the field of research & development have gradually made ALUMINCO a leader in the Greek Aluminium industry.

on Worldwide presence

With footprints to more than 60 countries, ALUMINCO can serve customers on a worldwide basis.

ALUMINCO headquarters, are located in Inofita Viotia, Greece, at a 40.000sq.m. owned property.

For more information

For more information about Aluminco, visit www.aluminco.com



Aluminco S.A.

Inofita Viotia, 32011, Greece

T: +30 22620 47000

F.: +30 22620 47090

E: info@aluminco.com