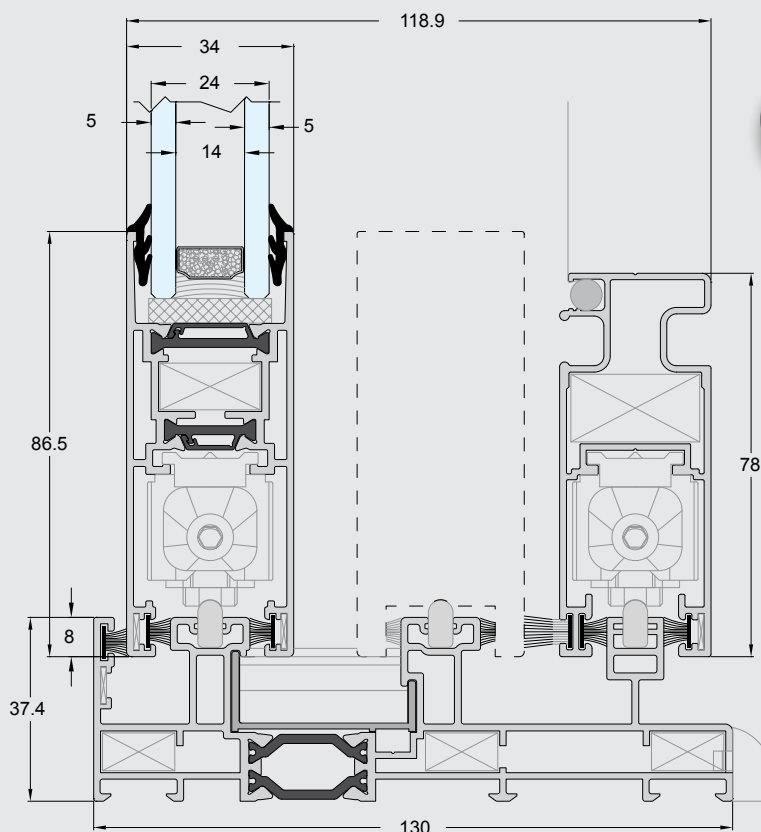




AL 200 Sliding Thermal Break System for minimizing of space usage

clima



U_w
2,3 W/m²K

Clima is the brand name of all thermal Break systems, sliding & opening, that deliver high performance, quality, reliability with insulation characteristics.

With innovative **Aluminco Technology** the Clima Systems are even more efficiency of an aesthetic design at a great value.

The new sliding innovative thermal break system **AL200** provides energy savings, absolute reliability, and excellent quality.

The architectural trend that looks straight untied lines with the least apparent aluminum frame has the trademark in it's design.

The special profile series provide comprehensive solutions in the configuration of the house as well as ease of construction.

Feature is that it requires only 100mm wall clearance to accept rail with glass, flyscreen and rolling shuttergiving.

ALUMINCO
ALUMINIUM BUILDING SYSTEMS

Data sheet

Basic characteristics

- Minimum wall gap 100mm for triple rail configuration.
- Fortified overlapping rails with mechanical corner connection for stronger constructions.
- Special designed completely waterproof central adaptor with excellent functionality.
- Excellent waterproofing and insulation using additional profiles to the hook profile section.
- Use of Anti-bimetallic polyamide. Its usage reduces the distortion between the inner and outer aluminium profile.

Technical characteristics

Sash width	Triple rail dimensions	Glass thickness up to	Polyamides
34 mm	↔ 98,5 mm	25 mm	24 mm

Profile technical characteristics

Aluminium alloy	Hardness	Minimum paint thickness	Profile thickness	Check dimensional-profiles according to
AlMgSi 0,5 (EN AW 6060)	12 Webster	75µm	1,4-1,7mm	EN DIN 12020-2

Performances

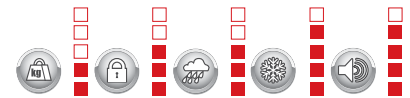
Thermal insulation EN ISO 10077-2	Uf=2,1-5,1 W/(m²K)
Air permeability EN 12207	Class 3
Watertightness EN 12208	Class 3A
Resistance to wind load EN 12210	Class C3/B3



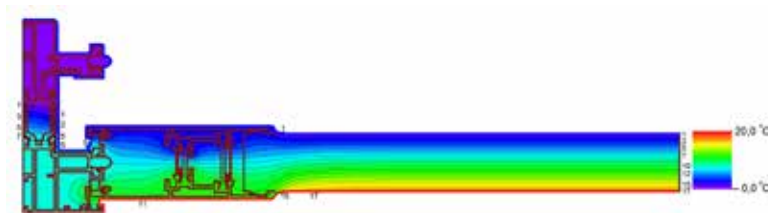
Anti-bimetallic polyamide

A unique innovation intergrated to a unique sliding aluminium system. Its usage reduces the distortion between the inner and outer aluminium profile due to possible temperature differences.

System properties



Rate of Insulation



$$U_w = 2,3 \text{ W/m}^2\text{K}$$

Thermal conductivity coefficient has calculated for the construction:
2000X2200 with U_g=1,3W/m²K
Glass type: 3+3/16(ARGON)/5

About Aluminco S.A.

Today, with 33 years of experience, our company has evolved to an integrated vertical aluminium industry focusing on developing, producing and marketing branded aluminium systems for every architectural use.

on Value-added aluminium solutions

Building the brand through consistency & care and having a clear and uniform profile, reinforced ALUMINCO to offer a unique wide-range of aluminium-based products.

on Research & development

Investing from the very beginning in the field of research & development have gradually made ALUMINCO a leader in the Greek Aluminium industry.

on Worldwide presence

With footprints to more than 60 countries, ALUMINCO can serve customers on a worldwide basis.

ALUMINCO headquarters, are located in Inofita Viotia, Greece, at a 40.000sq.m. owned property.

For more information

For more information about Aluminco, visit www.aluminco.com



Aluminco S.A.

Inofita Viotia, 32011, Greece
T: +30 22620 47000
F.: +30 22620 47090
E: info@aluminco.com