



# AL 450 Tilt & Turn Thermal Break System for superior quality & performance

clima

**Clima** is the brand name of all thermal Break systems, sliding & opening, that deliver high performance, quality, reliability with insulation characteristics.

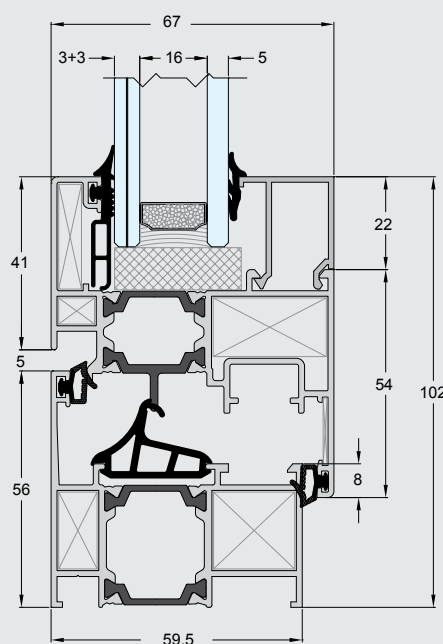
With innovative **Aluminco Technology** the Clima Systems are even more efficiency of an aesthetic design at a great value.

**AL450** is a thermal break system of high performance suitable for demanding constructions which offers the absolute security by mean of a perimetric locking.

The series gives the ability to construct frames for adverse weather conditions thanks to the use of specially reinforced polyamides **24mm**.

The maximum security provided by the use of multiple lockings combined with the high performance of thermal and sound insulation guarantee excellent quality, functionality and significant energy saving.

**U<sub>w</sub>**  
**1,8 W/m<sup>2</sup>K**



**ALUMINCO**  
ALUMINIUM BUILDING SYSTEMS

# Data sheet

## Basic characteristics

- Use of special reinforced polyamides 24mm.
- Special multi-chamber central gasket that secures optimum impermeability preventing thermal shift.
- Special alignment corner that incorporates mechanical fastening of the sash profiles, increasing thoroughly the overall rigidity of the frame while providing excellent aesthetic results.
- Option of stainless steel locking mechanism on perimeteric system and CAMERA EUROPEA system.
- Manufacturing capabilities with bead cutting of 45o degrees and snap-joined bead for excellent aesthetic result to the inside of frames.
- "Curtain" gaskets that prevent the transmission of moisture to the internal of the glazing.

## Technical characteristics

Sash width	Min frame width	Glass thickness up to	Polyamides
67 mm	← 59,5 mm	43 mm	24 mm

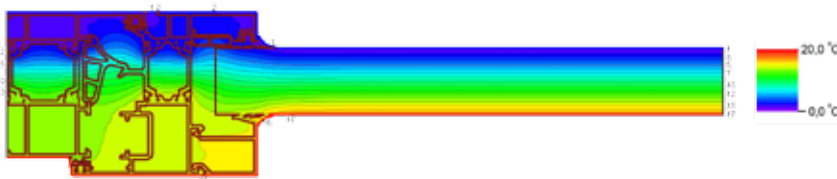
## Profile technical characteristics

Aluminium alloy	Hardness	Minimum paint thickness	Profile thickness	Check dimensional-profiles according to
AlMgSi 0,5 (EN AW 6060)	12 Webster	75µm	1,4-1,7mm	EN DIN 12020-2

## Performances

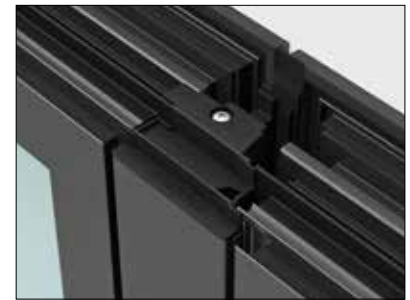
	Camera 16mm	Camera Europea
Thermal insulation EN ISO 10077-2	Uf=2,2-2,6 W/(m²K)	Uf=2,2-2,6 W/(m²K)
Air permeability EN 12207	Class 4	Class 4
Watertightness EN 12208	Class 2A	Class 6A
Resistance to wind load EN 12210	Class C4/B4	Class C3/B3
Antitheft	RC2	RC2

## Rate of Insulation



$$U_w = 1,8 W/m^2K$$

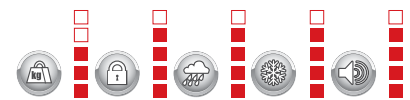
Thermal conductivity coefficient has calculated for the construction: 1600x2200 with  $U_g = 1,1 W/m^2K$   
Glass type: 3+3/16(ARGON)/5



## End cover for central adapter

1. Innovative design central adaptor end cover made from EPDM material which ensures excellent sealing and fitting of the central gasket made also from the same material.
2. Runoff chambers in the central adaptor end cover that prevent water intrusion inside the frame leading it to the outside of the central adaptor gasket.

## System properties



## About Aluminco S.A.

Today, with 33 years of experience, our company has evolved to an integrated vertical aluminium industry focusing on developing, producing and marketing branded aluminium systems for every architectural use.

### on Value-added aluminium solutions

Building the brand through consistency & care and having a clear and uniform profile, reinforced ALUMINCO to offer a unique wide-range of aluminium-based products.

### on Research & development

Investing from the very beginning in the field of research & development have gradually made ALUMINCO a leader in the Greek Aluminium industry.

### on Worldwide presence

With footprints to more than 60 countries, ALUMINCO can serve customers on a worldwide basis.

ALUMINCO headquarters, are located in Inofita Viotia, Greece, at a 40.000sq.m. owned property.

## For more information

For more information about Aluminco, visit [www.aluminco.com](http://www.aluminco.com)



### Aluminco S.A.

Inofita Viotia, 32011, Greece  
T: +30 22620 47000  
F: +30 22620 47090  
E: [info@aluminco.com](mailto:info@aluminco.com)